

DG600 | Programmable weight indicator



Programmable weight indicator for **medium and large farms**



DG600-SPM



DG600-4CSPM



DG600/SB-SPM

Specific Features

- All features of DG500
- 99 Recipes, 24 Components each (from a list of 99 components)
- 48 Distribution programs, 48 distribution points each (from a list of 64 distribution points)
- Mixing Time Control
- The new Fast Feeding function ensures the control of feeding process (direct connection between loading and distribution)
- Compatible with the DTM Daily TMR Manger Software Advanced in cloud
- Wireless data exchange between indicator and DTM software via the 4G modem
- Double LCD display improves user interface with clear operator messages
- The operator can edit name of Components, Distribution Points and Programs in different languages including ideograms (Chinese, Japanese, etc)
- Menu and user messages can be displayed within a vast number of languages available
- Keyboard with direct access to Recipe and Distribution Programs
- Programs can be set by TOTAL Weight or NUMBERS OF COWS
- TOTAL WEIGHT and NUMBER OF COWS can be changed right before starting the feeding program execution
- 2 specific menus for Recipes and Distribution programs
- Internal diagnostics for checking all device functions (display, load cells signals, buttons)
- Component consumption counter
- SERVICE FUNCTIONS
 - Working hours counter
 - Feed Mixer overloads monitor



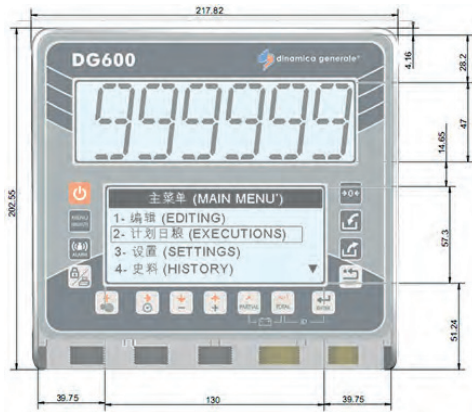
Available accessories

- Remote display: wired/wireless
- Remote control
- FarmCHEF APP
- DinaTEL 3 APP
- Printer
- Software DTM Advanced
- Data exchange: 4G MODEM

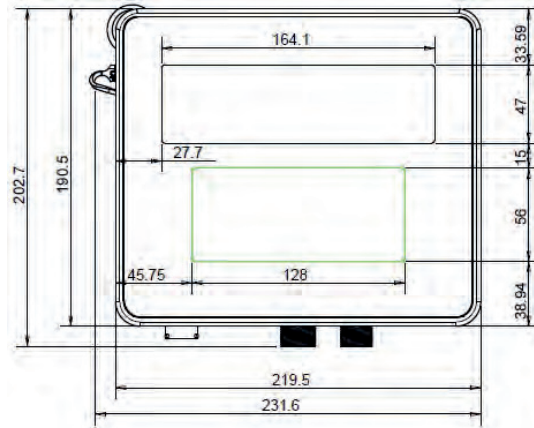
Technical data

Range (f.s.)	0 – 999.999
Resolution	1 - 2 - 5 - 10 - 20 - 50
Accuracy	< +/- 0,015 % f.s.
Operating temperature	-30 / +65°C (-22 / +150°F) (-45 °C / -49°F on request)
Power supply	9,5 – 32 Vd.c. ("LOW BATTERY" alarm < 9,5 Vdc)
Dimensions (mm)	UNIVERSAL BOX: 233 x 230 x 112 mm (9.2 x 9.0 x 4.4 inches) SLIM BOX: 220 x 190 x 80 mm (8.6 x 7.5 x 3.1 inches)
Weight (gr)	UNIVERSAL BOX: 2500gr (5.5 lbs) SLIM BOX: 1900gr (4.2 lbs)
Case	Specific Nylon with Glass Fiber V0
Protection grade	IP 68*
LCD Display / Height	6 digits (16 segments) / 45 mm (1.77 inches)**
Display view	15 m and more (50 ft)

Universal Case



Slim Case



Part Number Description

Part Number	Description
999-0671	DG600-SPM-CG-B_DG
999-0818	DG600-SPM-CG-B-AUTO-ON_DG
999-0676	DG600-AMP-CP-B_DG
999-0820	DG600-4CSPM-CG-B-ESA_DG
999-0969	DG600/SB-SPM-CG-B_DG
999-1238	DG600/SB-AMP-CP-B_DG