

DG500 | Programmable weight indicator



Programmable weight indicator for **small and medium farms**



DG500-SPM



DG500-4CSPM



DG500/SB-SPM

Specific Features

- All the features of DG400
- 24 recipes, 18 components each (from a list of 48 components)
- 24 distribution programs, 18 distribution points each (from a list of 48 distribution points)
- Double LCD display improves user interface with clear operator messages
- The operator can edit name of Components, Distribution Points and Programs in different languages
- Menu and user messages can be displayed within a vast number of languages available
- Keyboard with direct access to Recipe and Distribution Programs
- Programs can be set by TOTAL Weight or NUMBERS OF COWS
- TOTAL WEIGHT and NUMBER OF COWS can be changed right before starting the feeding program execution
- 2 specific menus for Recipes and Distribution programs
- Compatible with the DTMTM Daily TMR Manger software Advanced in cloud
- Internal diagnostics for checking all device functions (display, load cells signals, buttons)
- Component consumption counter
- SERVICE FUNCTIONS
 - Working hours counter
 - Overloads
- Export loading report in Excel

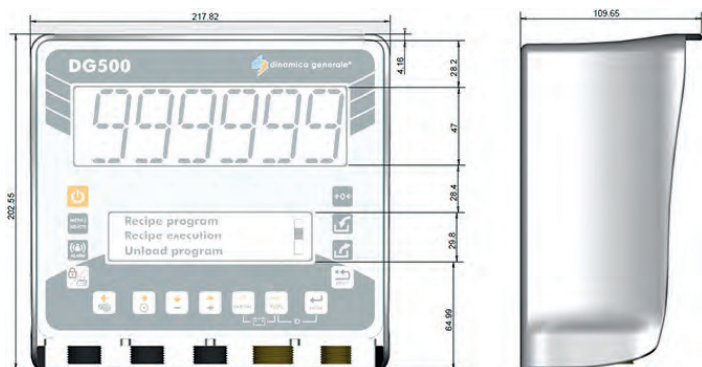
Available accessories

- Remote display: wired/wireless
- Remote control
- FarmCHEF APP
- DinaTEL3 APP
- Printer
- Software DTM Advanced
- Weight transmitter (digital output)

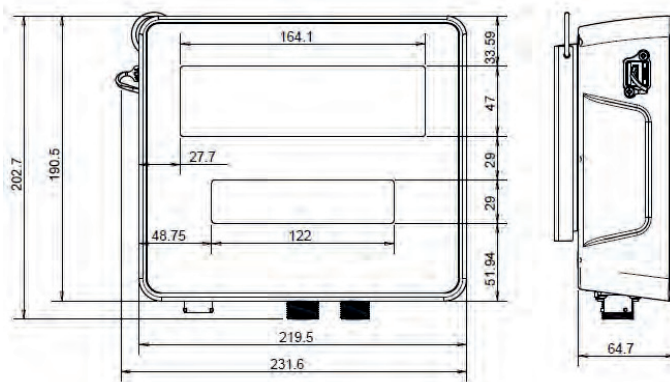
Technical data

Range (f.s.)	0 – 999.999
Resolution	1 - 2 - 5 - 10 - 20 - 50
Accuracy	< +/- 0,015 % f.s.
Operating temperature	-30 / +65°C (-22 / +150°F) (-45 °C / -49°F on request)
Power supply	9,5 – 32 Vd.c. ("LOW BATTERY" alarm < 9,5 Vdc)
Dimensions (mm)	UNIVERSAL BOX: 233 x 230 x 112 mm (9.2 x 9.0 x 4.4 inches) SLIM BOX: 220 x 190 x 80 mm (8.6 x 7.5 x 3.1 inches)
Weight (gr)	UNIVERSAL BOX: 2500gr (5.5 lbs) SLIM BOX: 1900gr (4.2 lbs)
Case	Specific Nylon with Glass Fiber V0
Protection grade	IP 68*
LCD Display / Height	6 digits (16 segments) / 45 mm (1.77 inches)
Display view	15 m and more (50 ft)

Universal Case



Slim Case



Part Number Description

999-0670	DG500-SPM-CG-B_DG
999-0817	DG500-SPM-CG-B-AUTO-ON_DG
999-1237	DG500-AMP-CP-B_DG
999-0898	DG500-AMP-CP-B-TPI_DG
999-0780	DG500-4CSPM-CG-B-ESA_DG
999-0996	DG500-4CSPM-CG-B-ESA-CJ_DG
999-0968	DG500/SB-SPM-CG-B_DG
999-1068	DG500/SB-SPM-CG-B_DG_PSEM
999-1296	DG500/SB-AMP-CP-B_DG